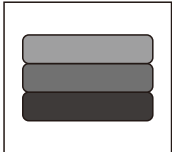


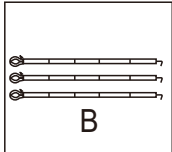
SET UP INSTRUCTION FOR QUEEN 360



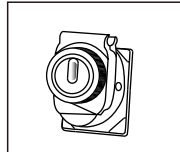
Flysheet



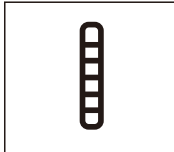
Steel Pole in the front x1pc



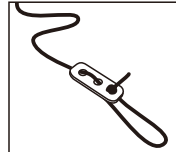
Steel Pole at the top x3pcs



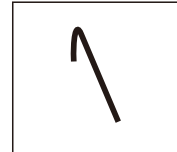
Bracket Pad x3pcs



Adjustable ladder x22pcs

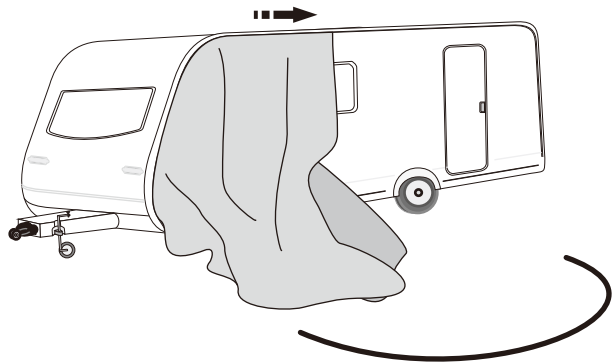


Guy Rope x11pcs

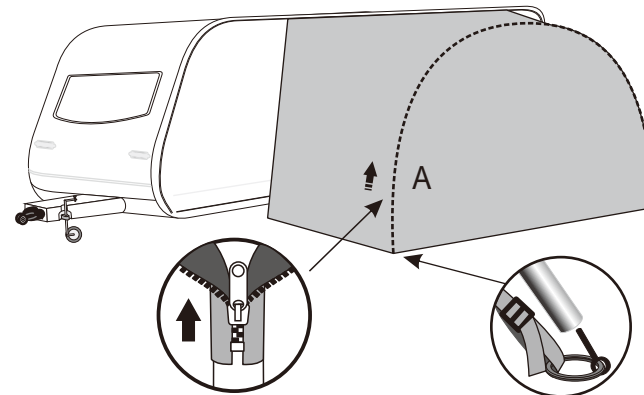


Pegs +5x21cm 41pcs

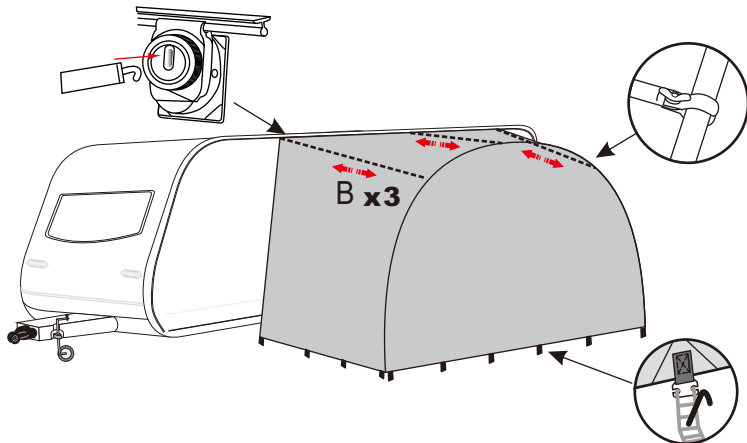
1



2



3



4

