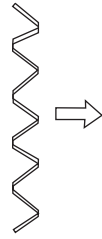
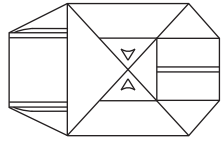


Check list

ROCK SPRINGS 3



x24

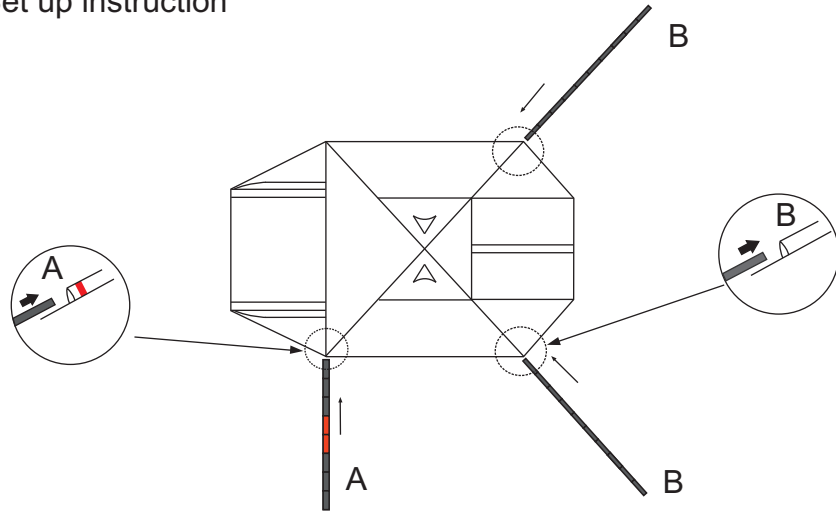
A

Bx2

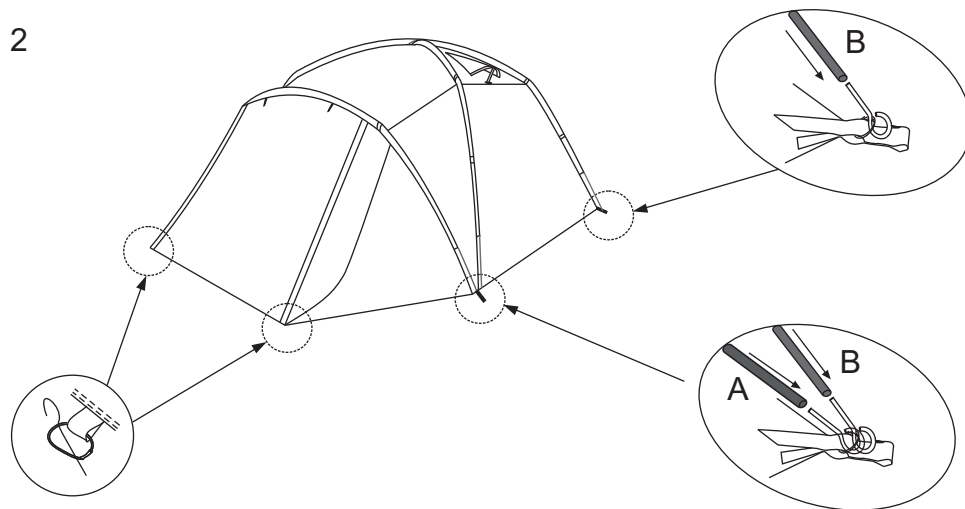
Cx2

Set up instruction

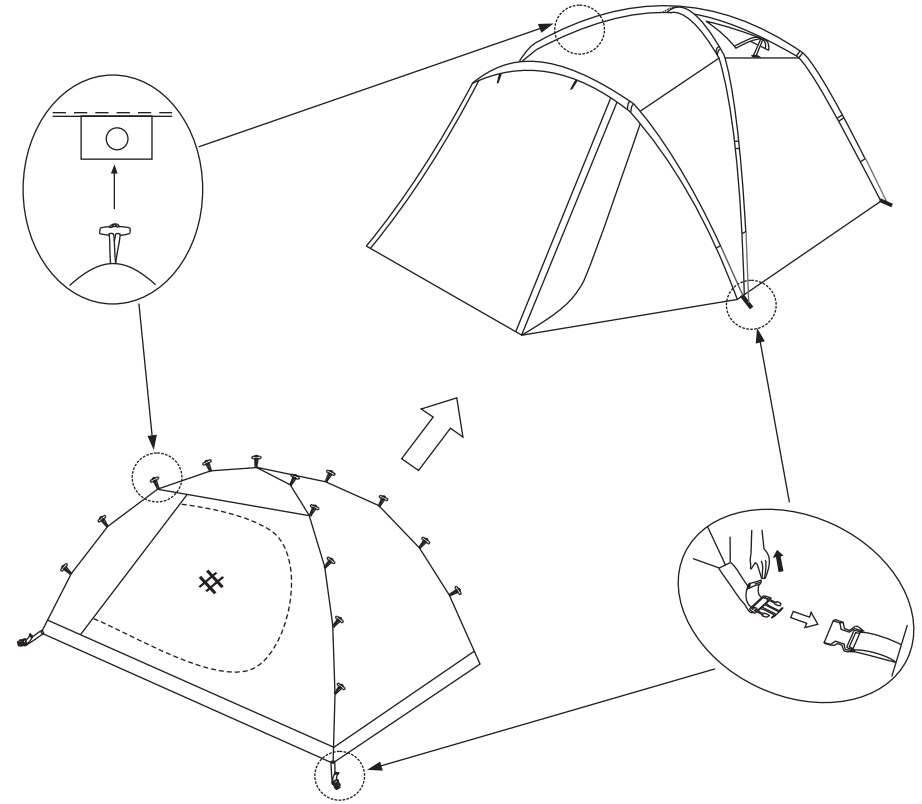
1



2



3



5

