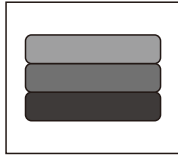
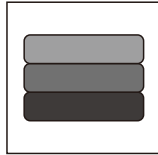


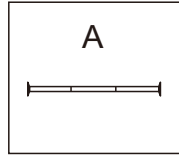
SET UP INSTRUCTION FOR 400



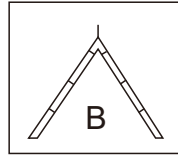
Flysheet



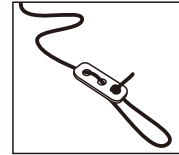
Groundsheet



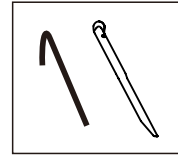
Steel Pole x1pc



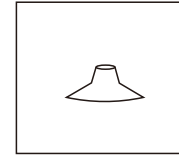
Door Pole x1pc



Guy Rope x13pcs

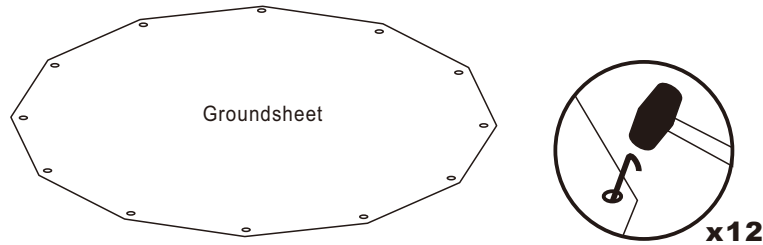


Pegs 4x17cm 14pcs
+5x21cm 13pcs
+21cm Corner Pegs 13pcs



Rain Hat x1pc

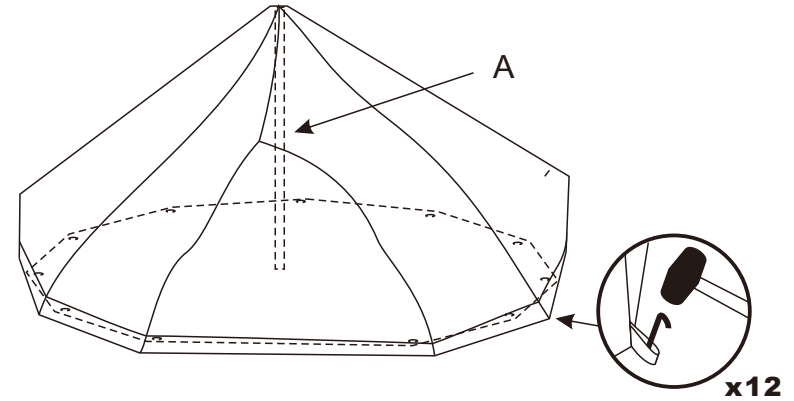
1



Groundsheet

x12

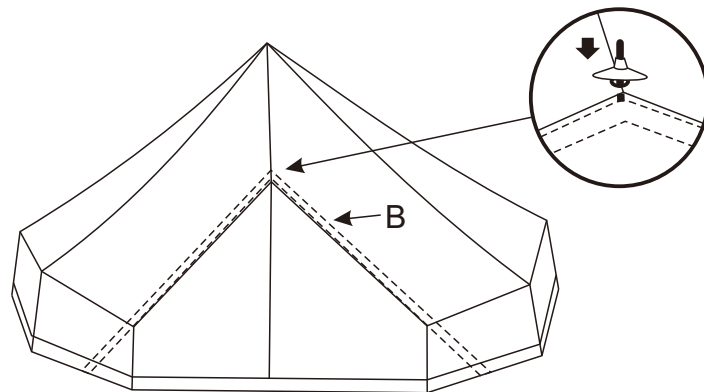
2



A

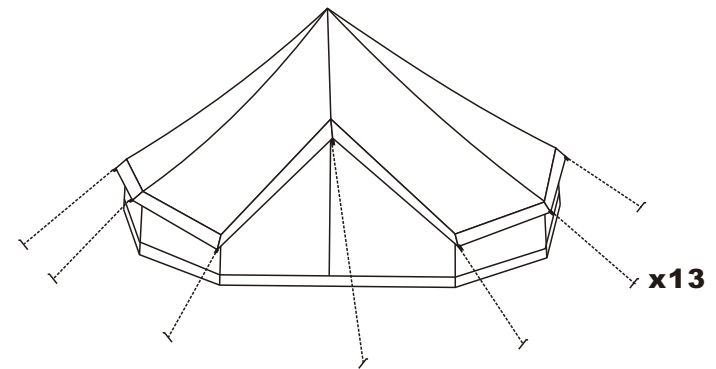
x12

3



B

4



x13