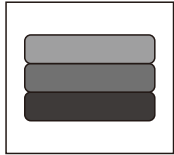
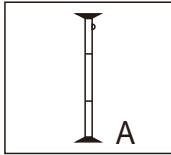


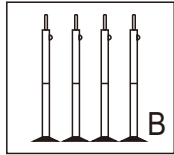
SET UP INSTRUCTION FOR TRIPSTEIN SUPER



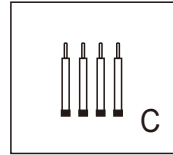
Flysheet



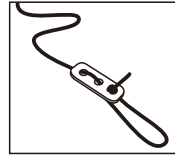
Steel Pole in the center x1pc



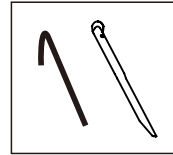
Steel Pole in the front and back x4pcs



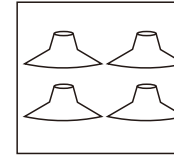
Steel Pole at the corners x4pcs



Guy Rope x18pcs

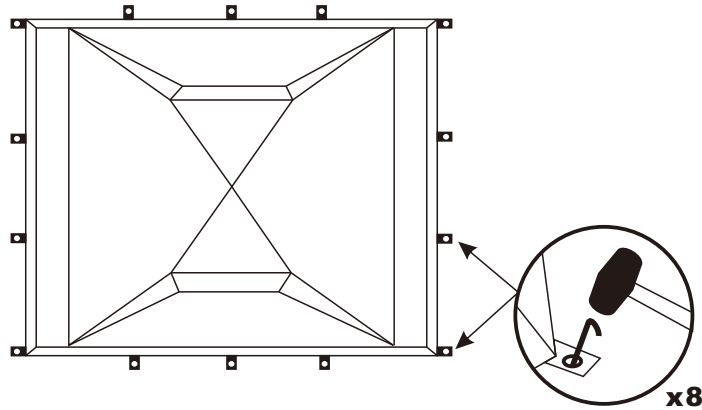


Pegs +5x21cm 18pcs
+21cm Corner Pegs 18pcs

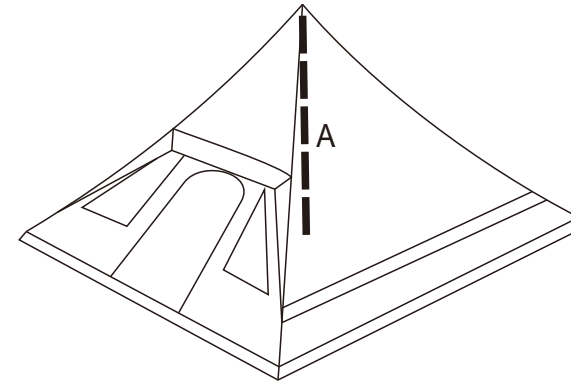


Rain Hat x4pcs

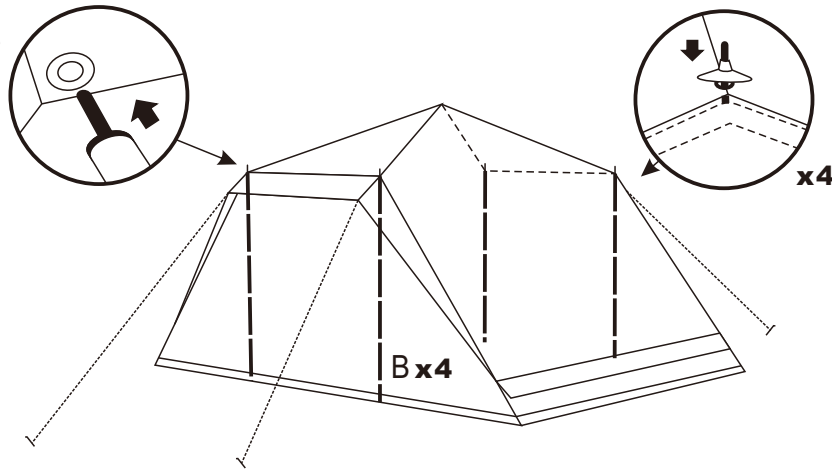
1



2



3



4

