
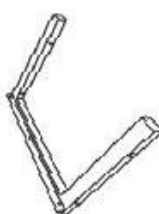



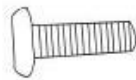




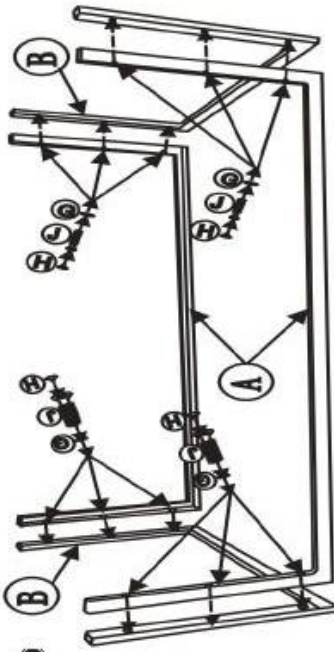
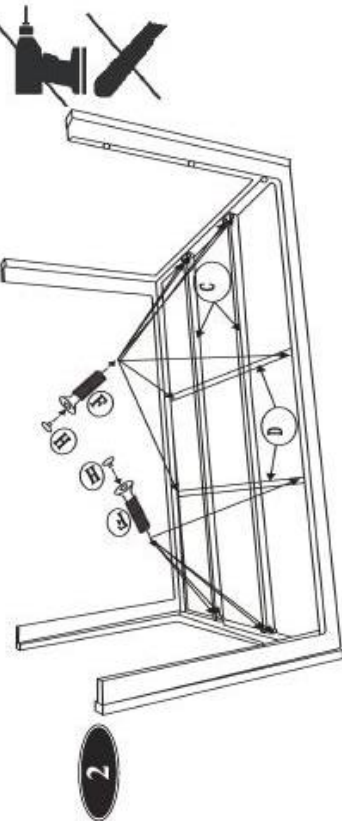
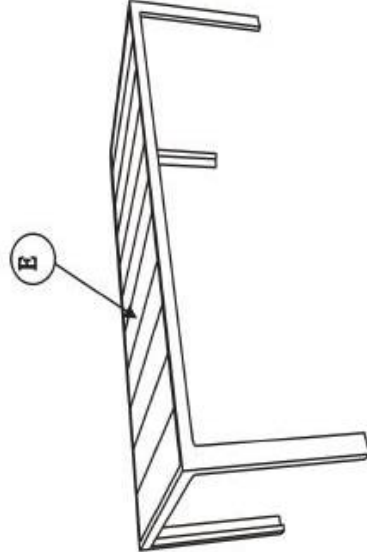


BEFORE ASSEMBLY, PLACE PRODUCT ON A CLEAN, SOFT SURFACE
 BITTE PRODUKT AUF EINEN WEICHEN, SAUBEREN UNTERGRUND LEGEN ZUM MONTIEREN
 PLAATS HET PRODUCT OP EEN ZACHTE, SCHONE ONDERGROND T.B.V. MONTAGE
 POUR ASSEMBLER, POSEZ LE PRODUIT SUR UNE SURFACE DOUCE ET PROPRE
 PARA MONTAJE, PONE EL PRODUCTO A UNA SUPERFICIE SUAVE Y LIMPIA



| | | | | | | | | | |
|--|--|--|--|---|--|---|---|--|--|
| <p>(A) 2x</p>  | <p>(B) 2x</p>  | <p>(C) 2x</p>  | <p>(D) 2x</p>  | <p>(E) 11x</p>  | <p>(F) 12x 1/4X 15 MM</p>  | <p>(G) 12x</p>  | <p>(H) 24x</p>  | <p>(I) 1x</p>  | <p>(J) 12x 1/4X 65 MM</p>  |
| <p>1</p> <p>Tanger Ceramic Table 228X105X75 cm Frame Only GT-675</p>  <p>2</p>  <p>3</p>  | | | | | | | | | |
| <p>Assembly instructions:</p> <p>① Assemble feet A and feet B together (picture 1) It is very important not to fasten the screws, but only to screw in half way!</p> <p>② Assemble the support tubes C and then D (picture 2) It is very important not to fasten the screws, but only to screw in half way!</p> <p>③ Put ceramic tiles E into the table frame ;</p> <p>④ Tighten all screws one by one. Please keep each tube surface in horizontal position(not skew).</p> | | | | | | | | | |