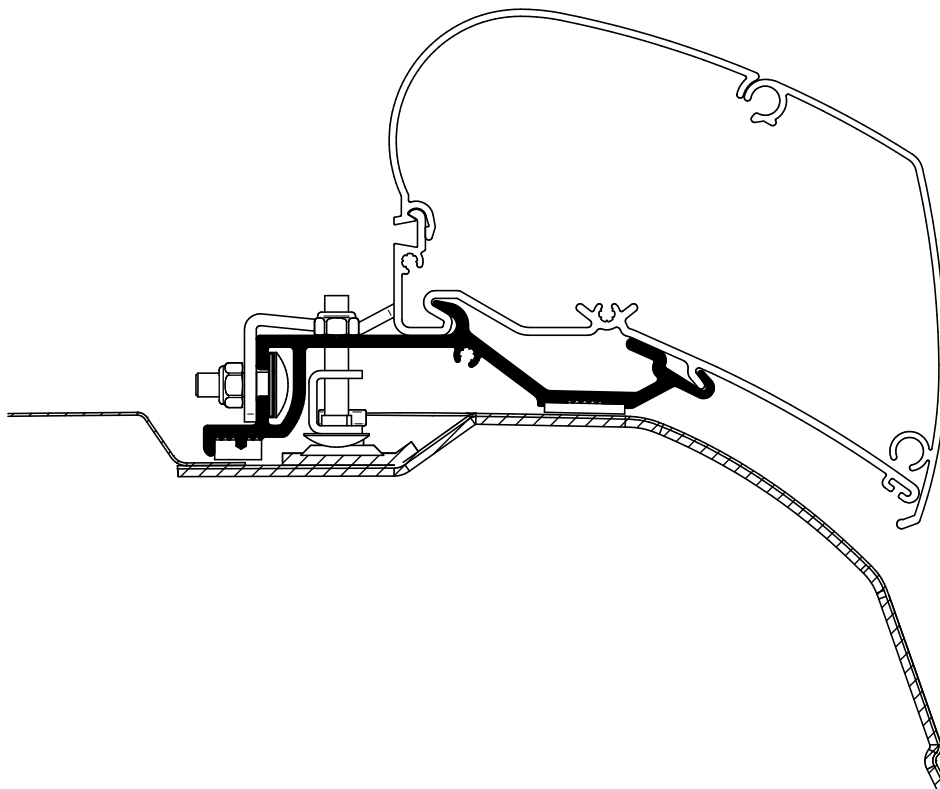
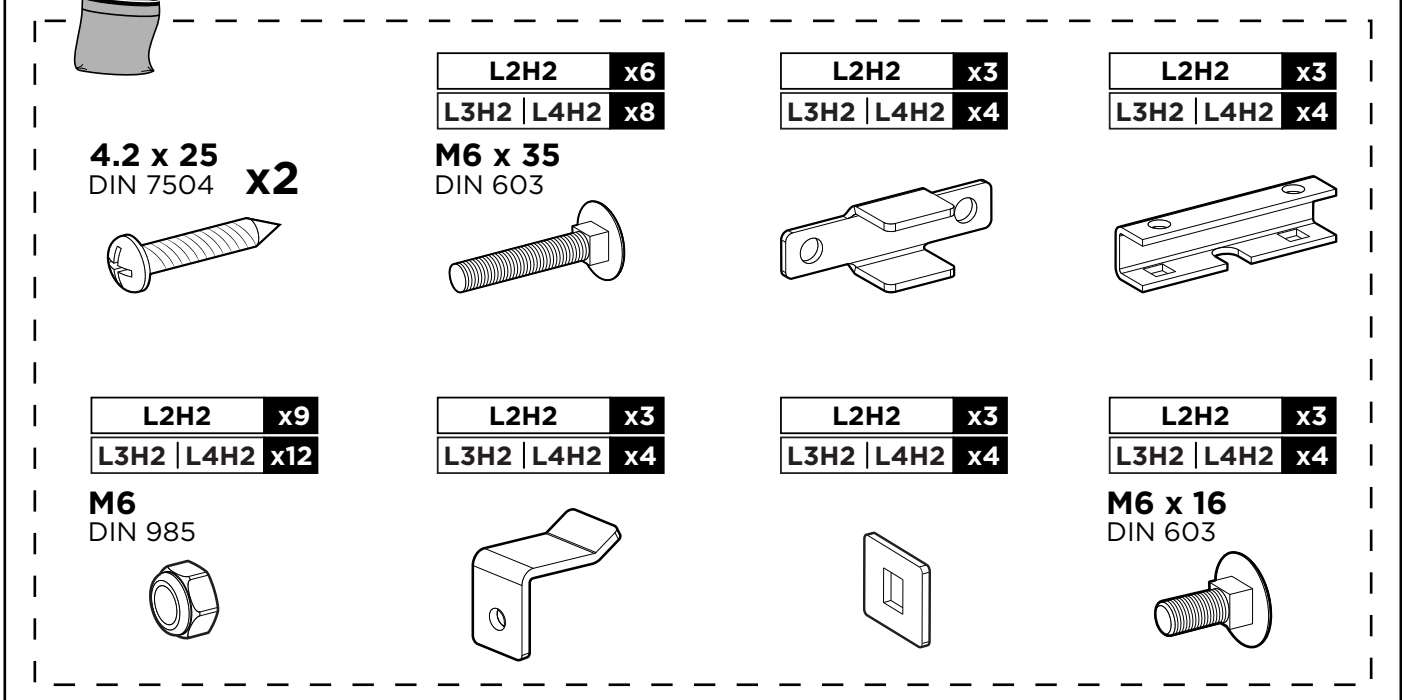
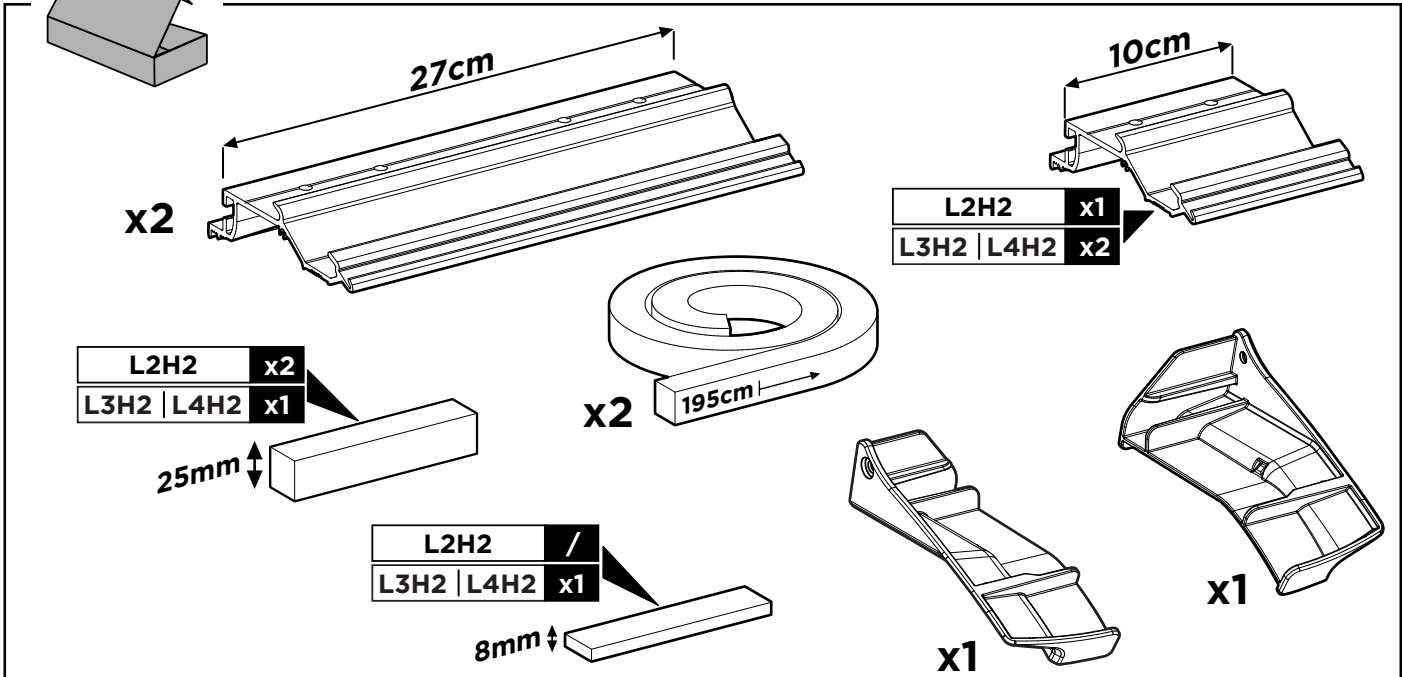
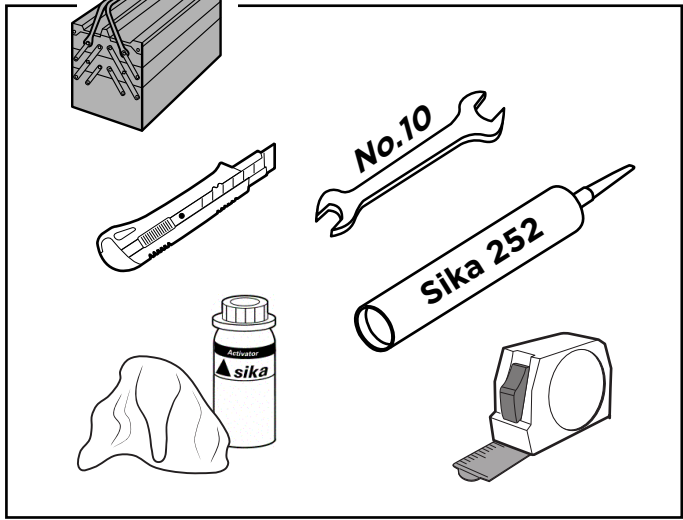
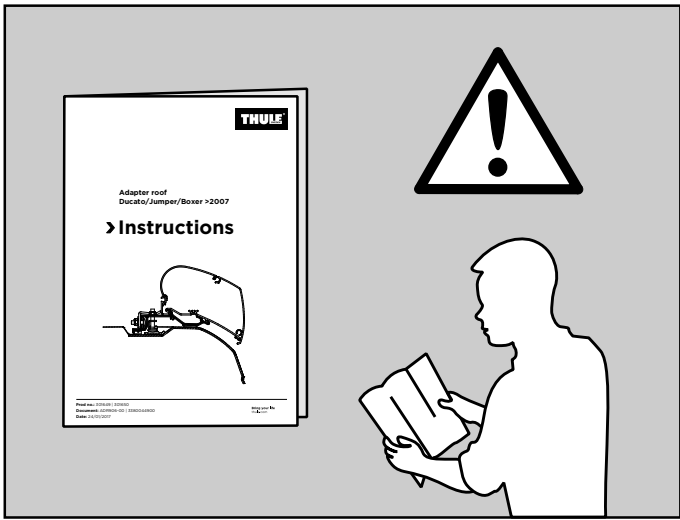


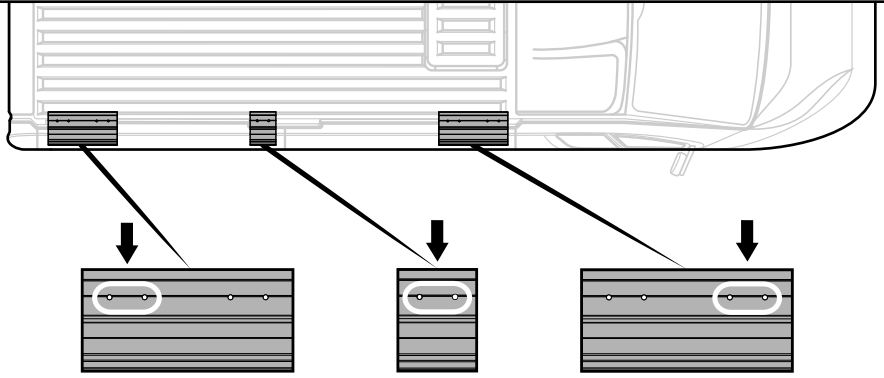
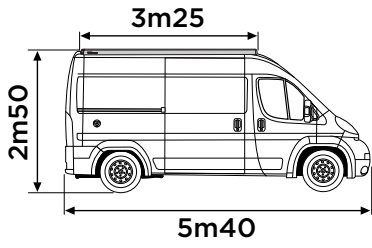
**Adapter roof  
Ducato/Jumper/Boxer >2007**

# ➤ Instructions

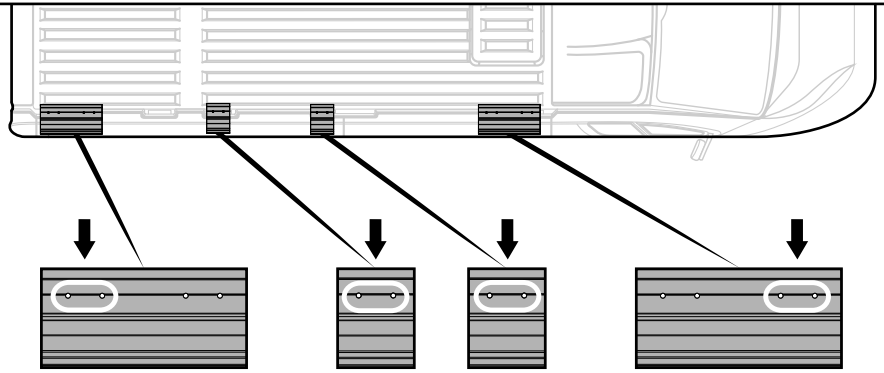
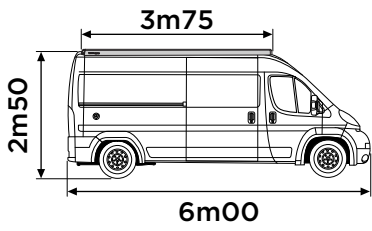




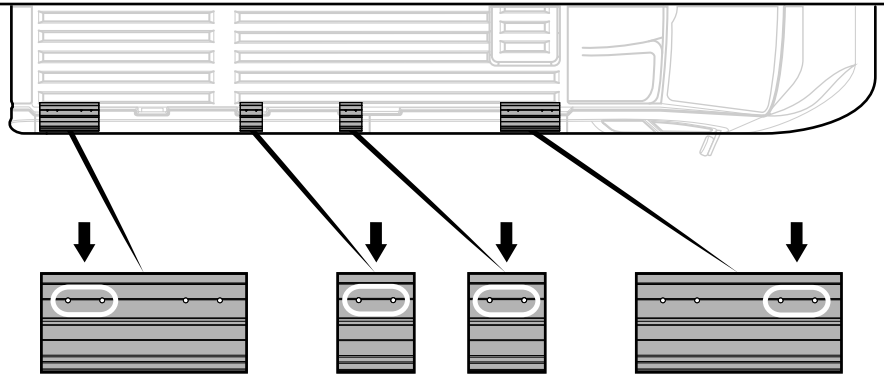
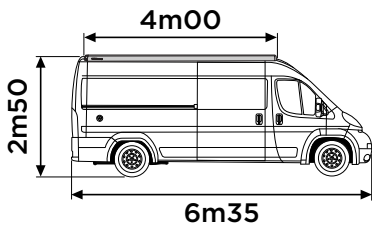
**L2H2**



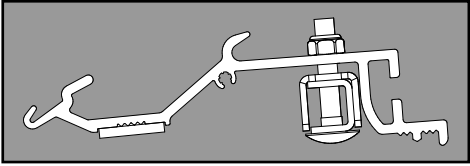
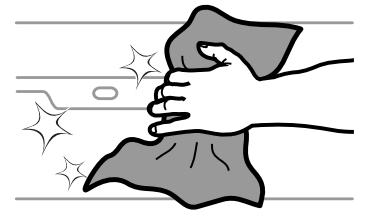
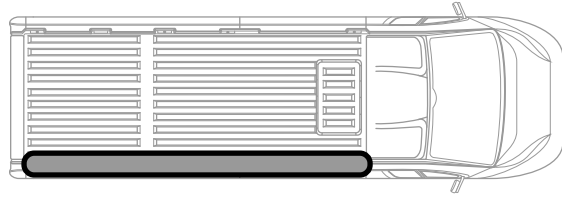
**L3H2**



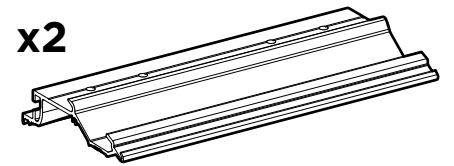
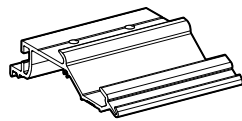
**L4H2**



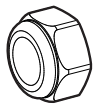
1



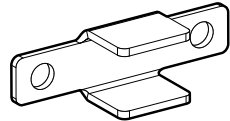
L2H2	x1
L3H2   L4H2	x2



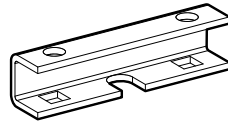
L2H2	x6
L3H2   L4H2	x8



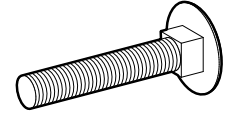
L2H2	x3
L3H2   L4H2	x4



L2H2	x3
L3H2   L4H2	x4

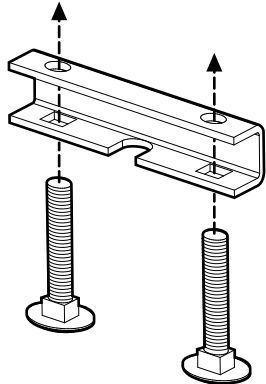


L2H2	x6
L3H2   L4H2	x8

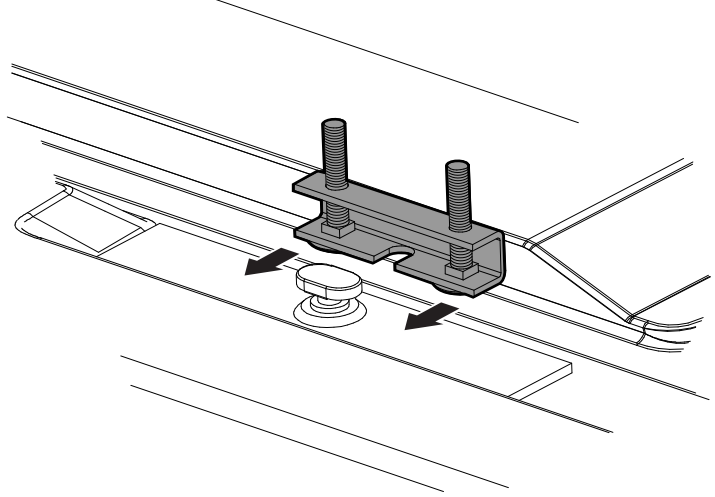


2

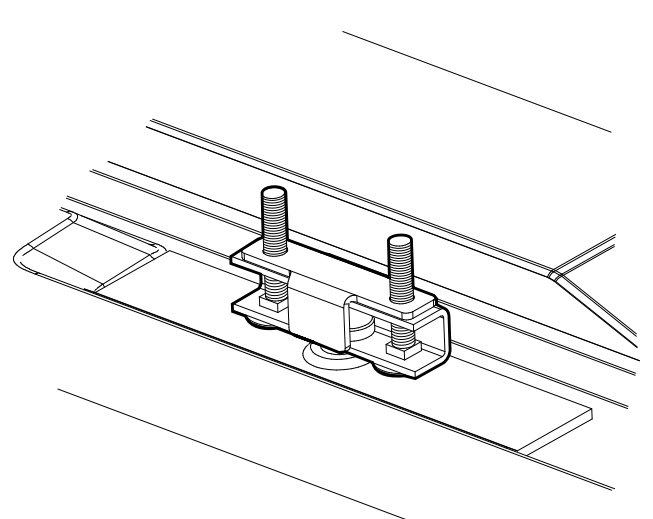
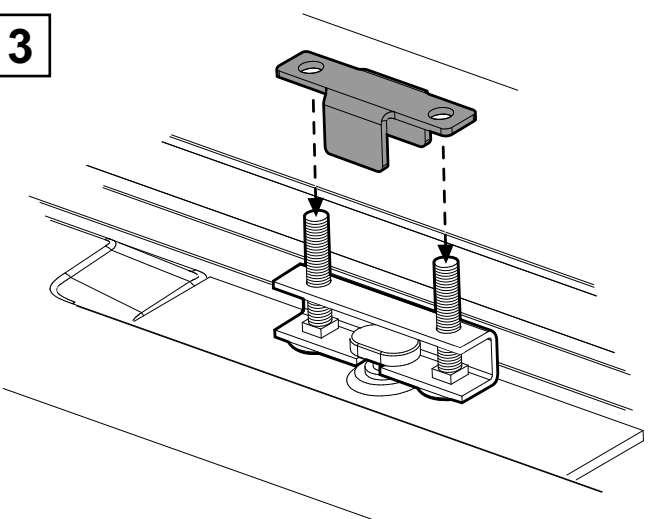
A

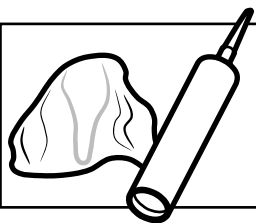


B



3





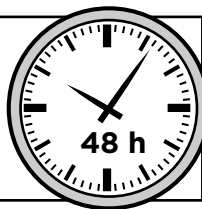
**Glue / Lijmen / Verklebung:**

Thule recommends / beveelt aan / empfiehlt: **SIKA 252 or Terostat MS937**

Primern und Abdichtung nach Anweisung des Dichtmittelherstellers.

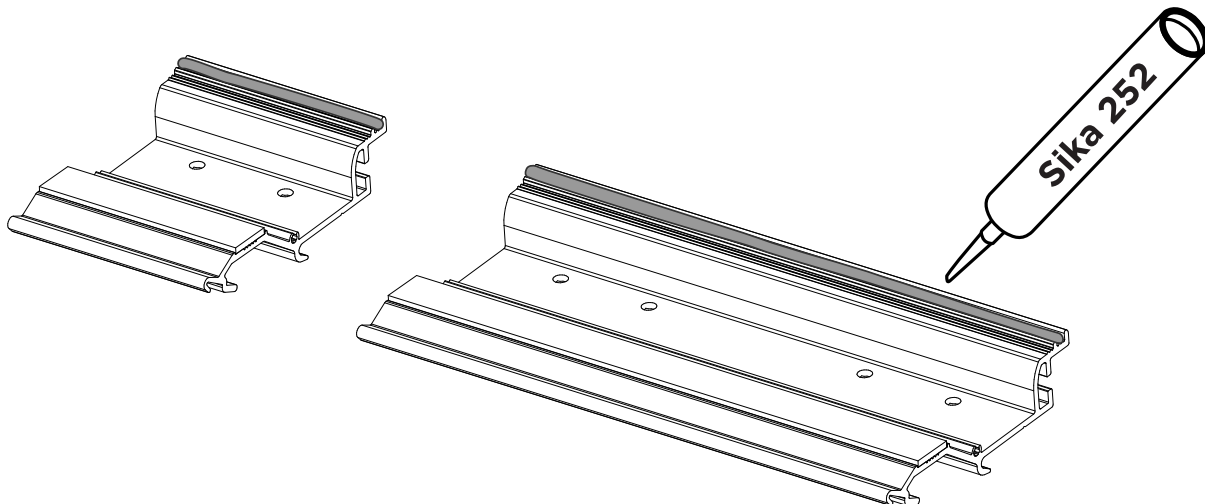
Voorbehandeling en afdichting volgens de voorschriften van de lijmfabrikant.

Preparation and sealing according to the prescripts of the glue supplier.

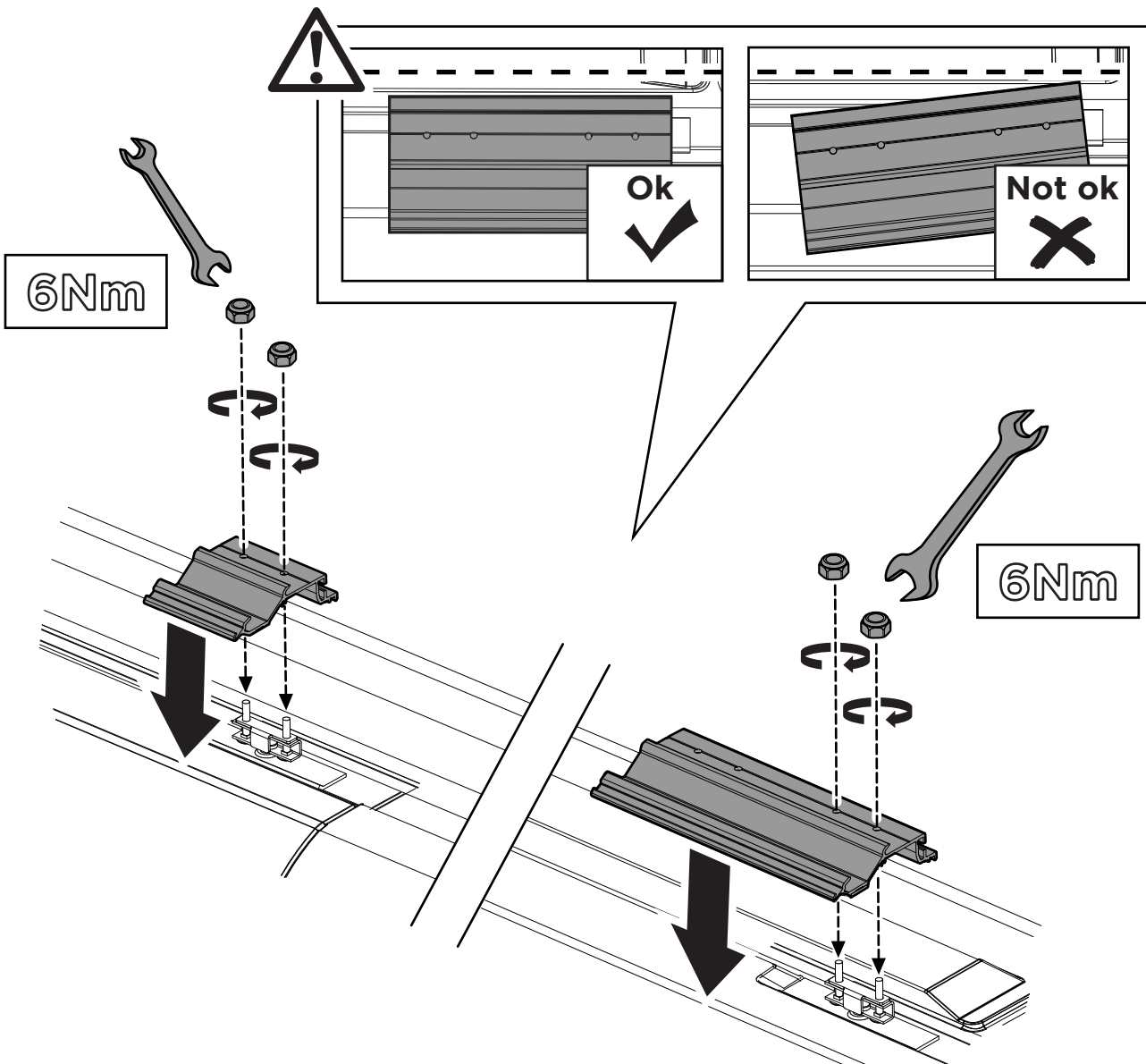


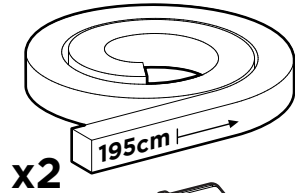
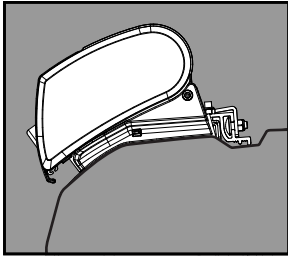
**4**

**A**



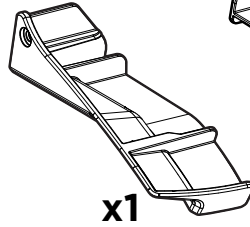
**B**



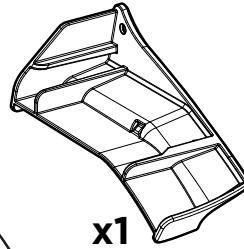


x2

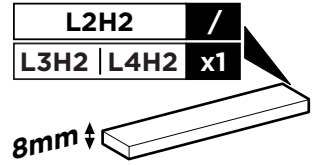
195cm



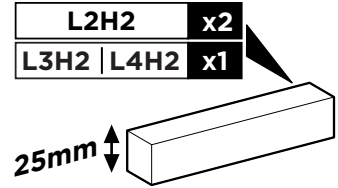
x1



x1

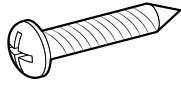


8mm



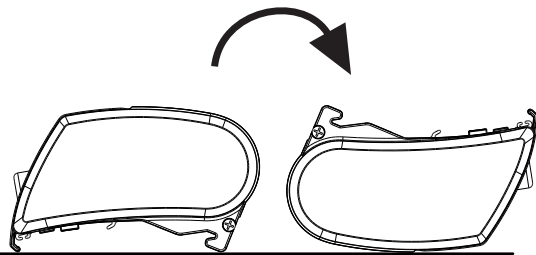
25mm

x2 4.2 x 25  
DIN 7504

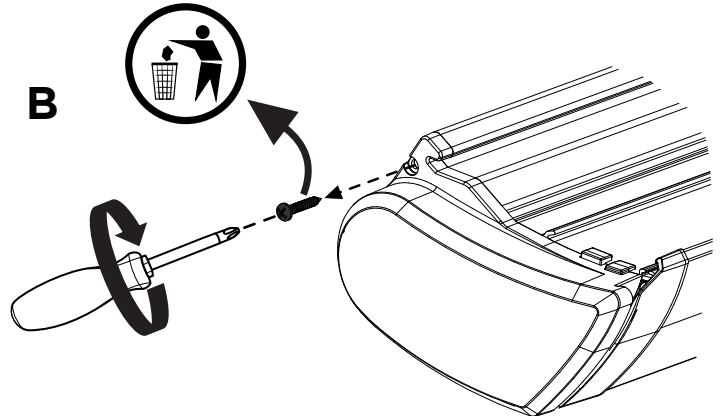


1

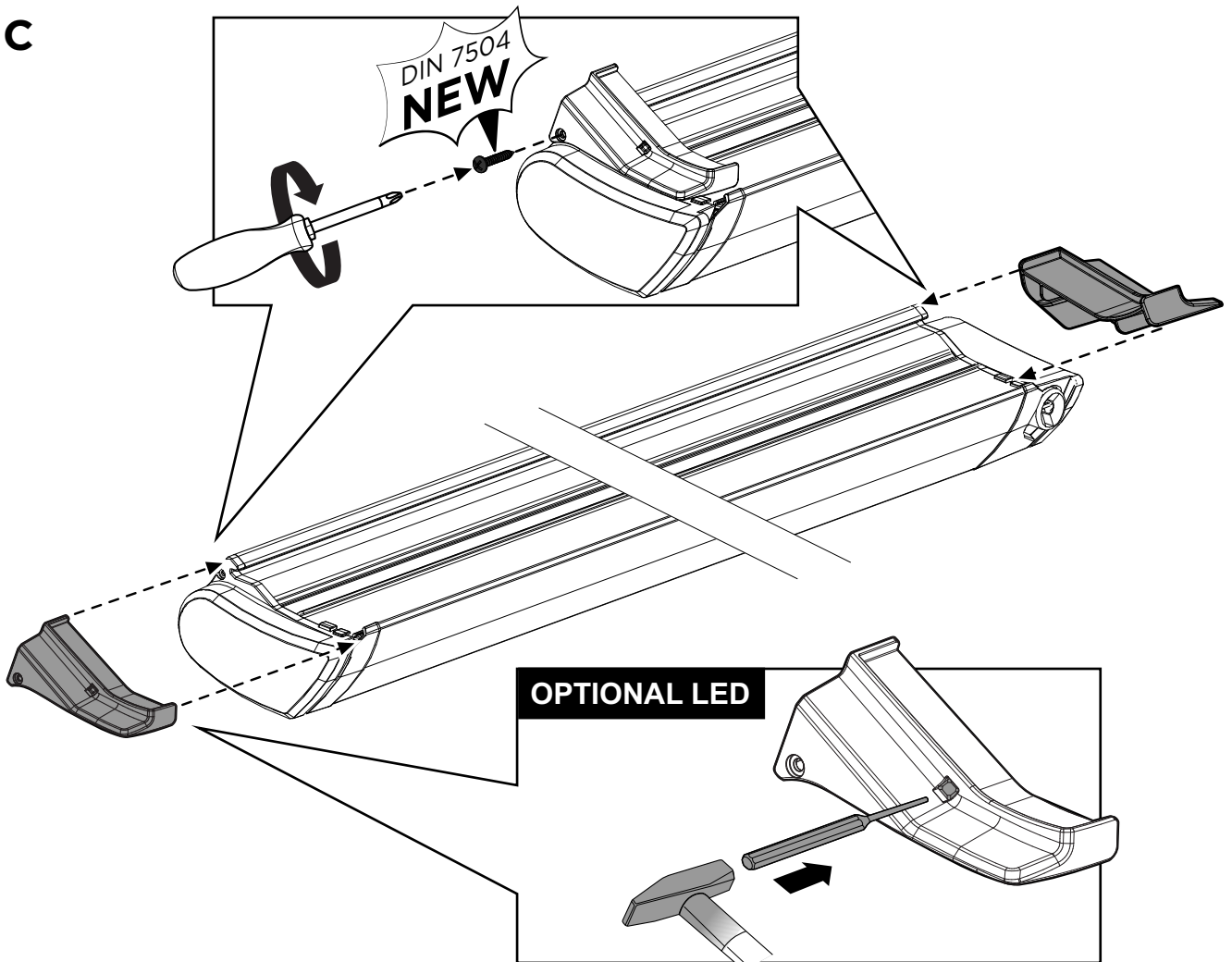
A



B



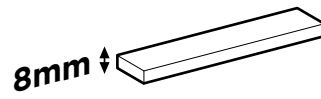
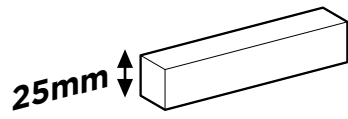
C



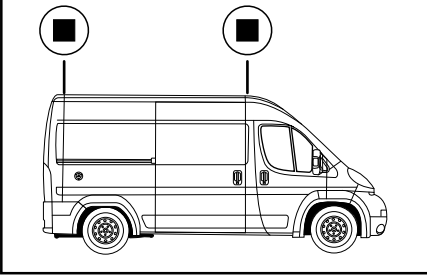
**i**

■	L2H2	x2
	L3H2   L4H2	x1

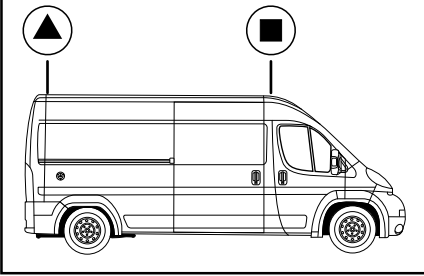
▲	L2H2	/
	L3H2   L4H2	x1



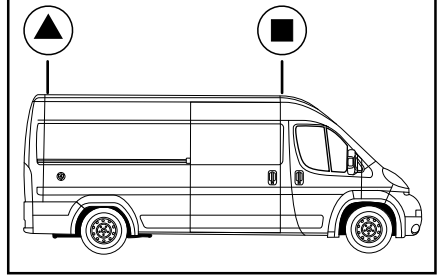
**L2H2**



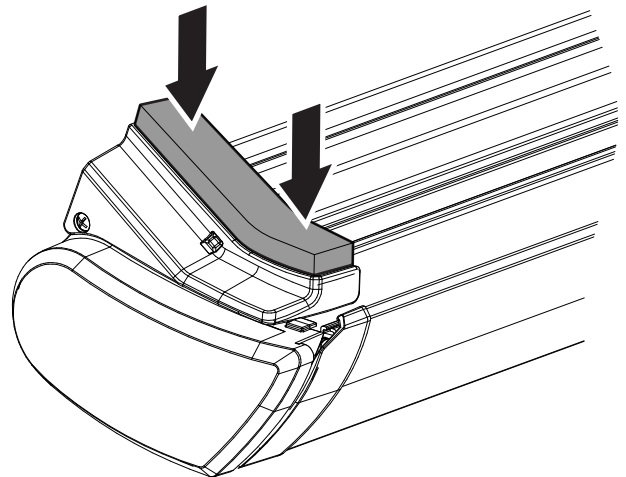
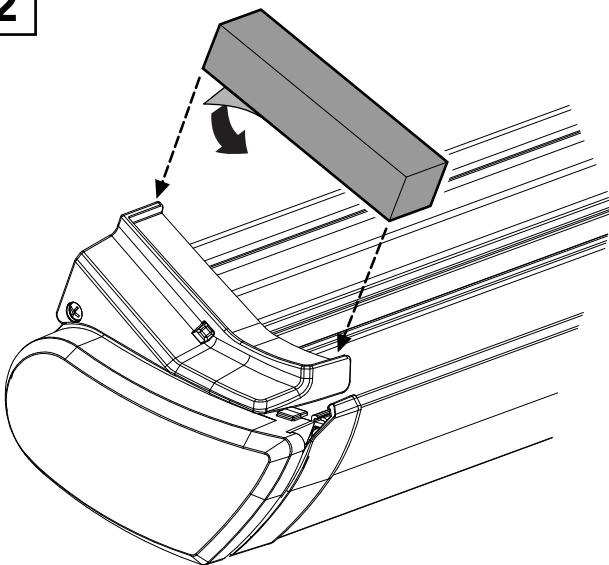
**L3H2**



**L4H2**

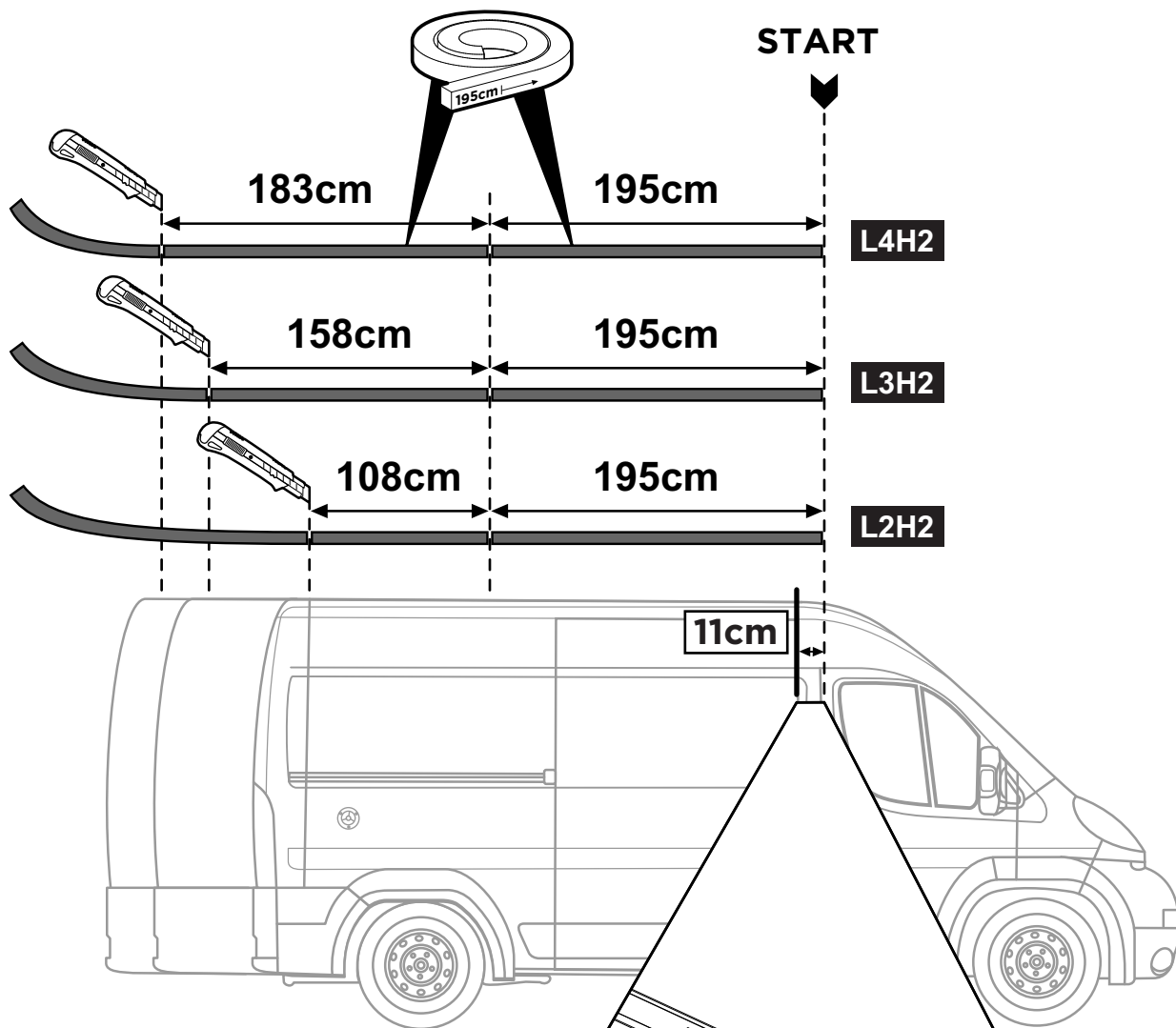


**2**

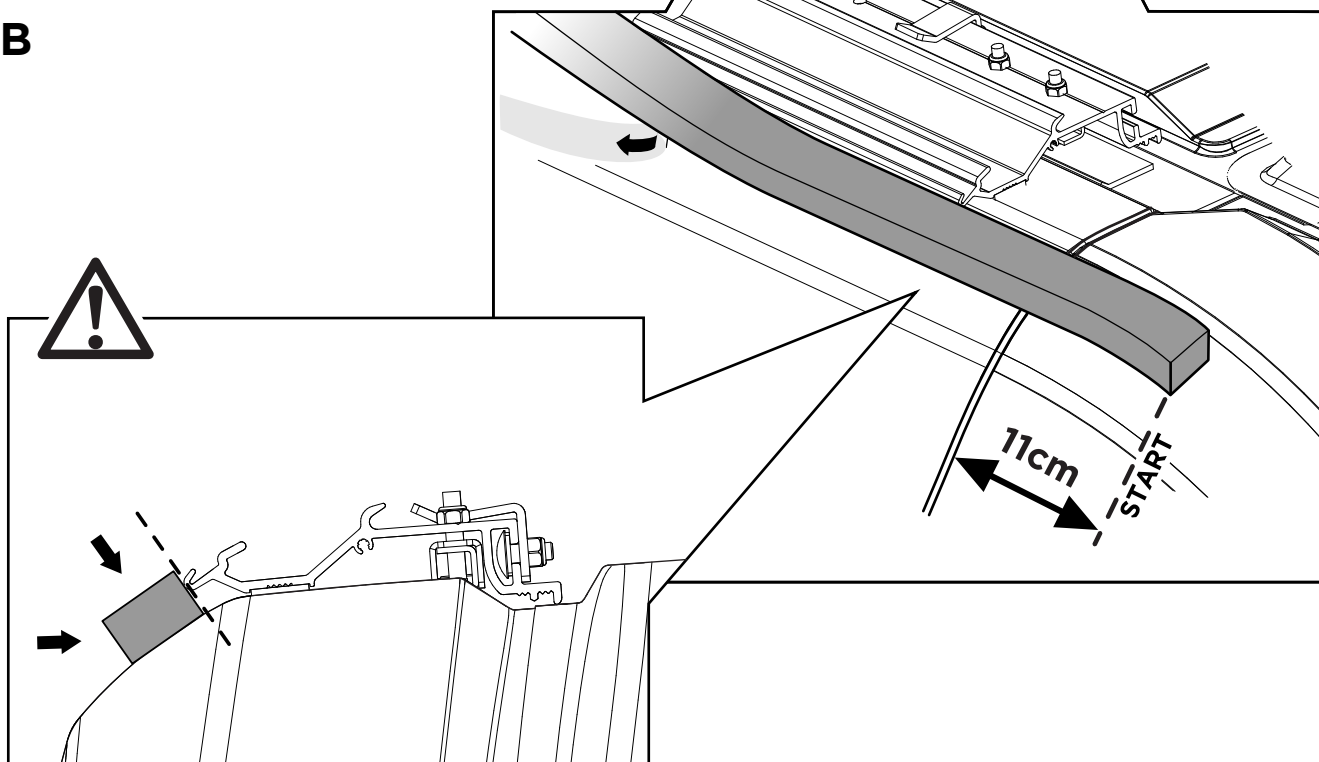


3

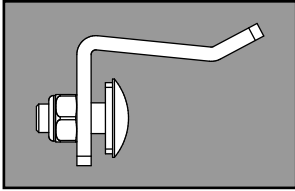
A



B



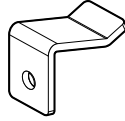




L2H2 x3  
L3H2 | L4H2 x4



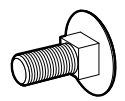
L2H2 x3  
L3H2 | L4H2 x4



L2H2 x3  
L3H2 | L4H2 x4

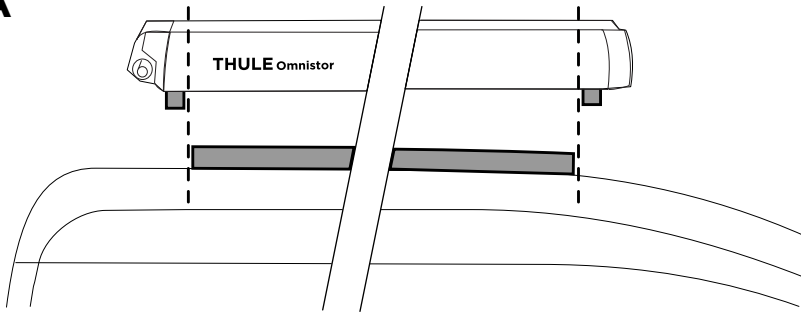


L2H2 x3  
L3H2 | L4H2 x4

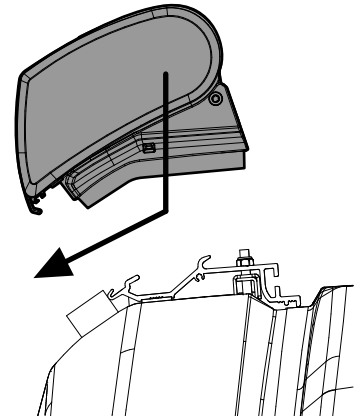


1

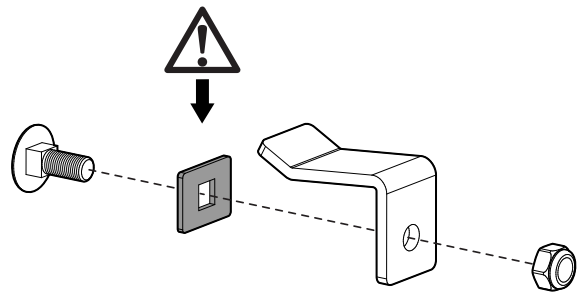
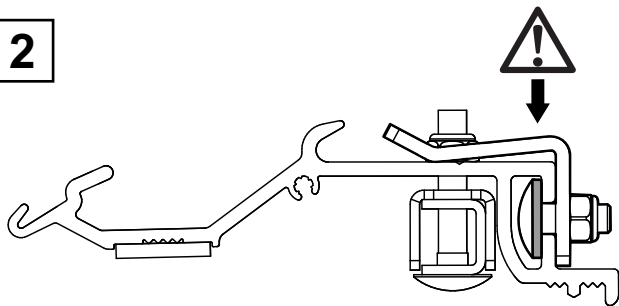
A



B



2



3

