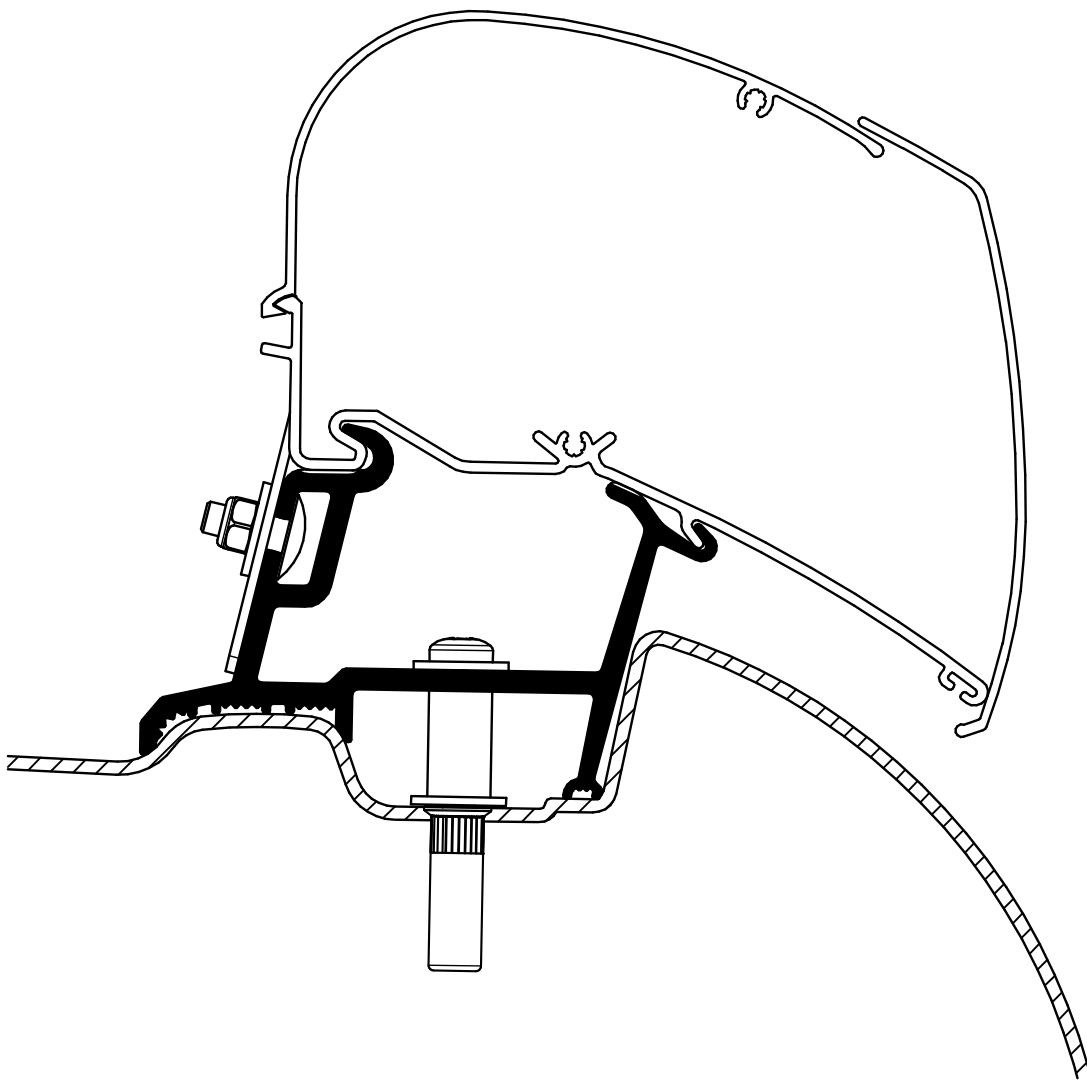
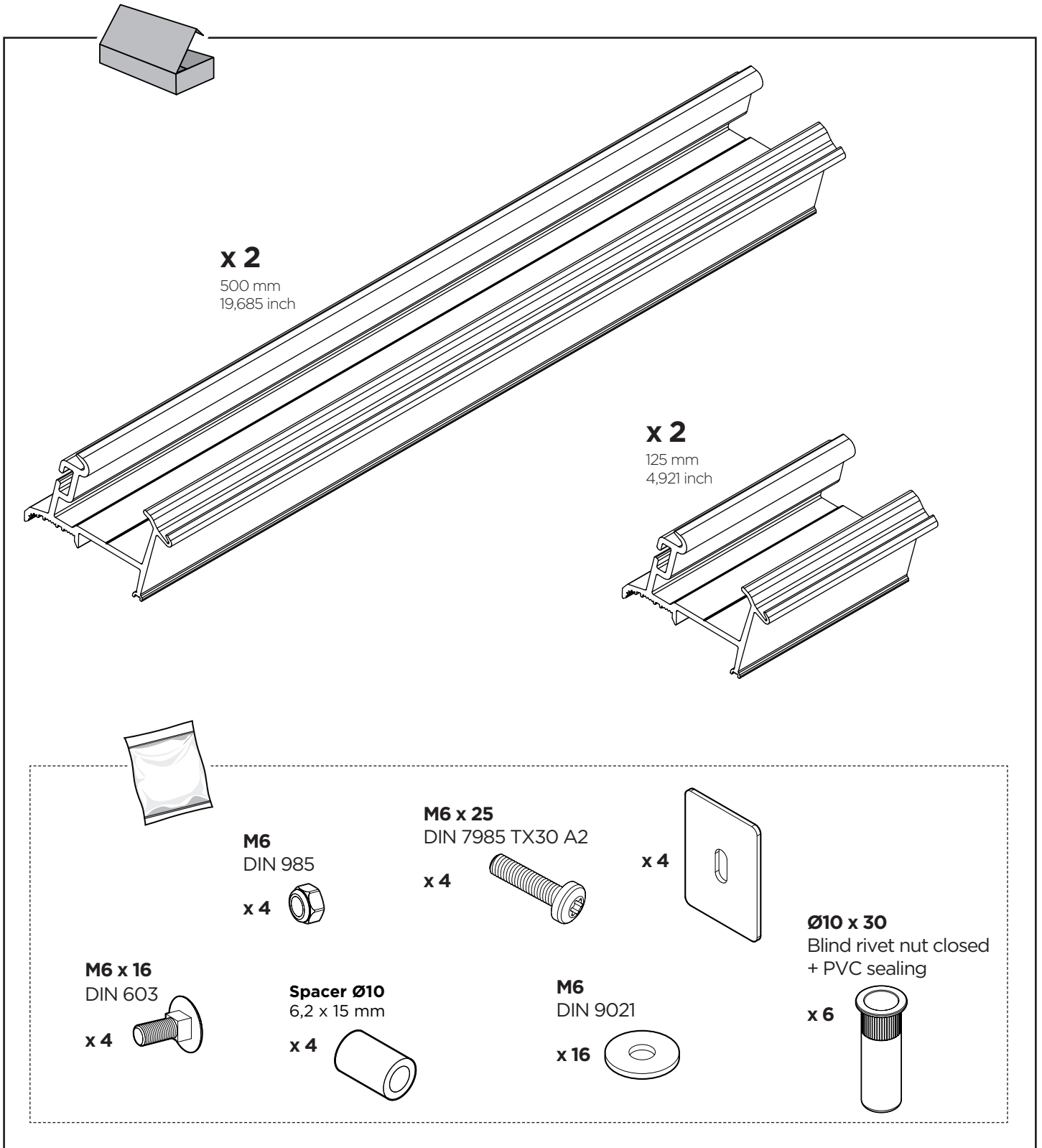
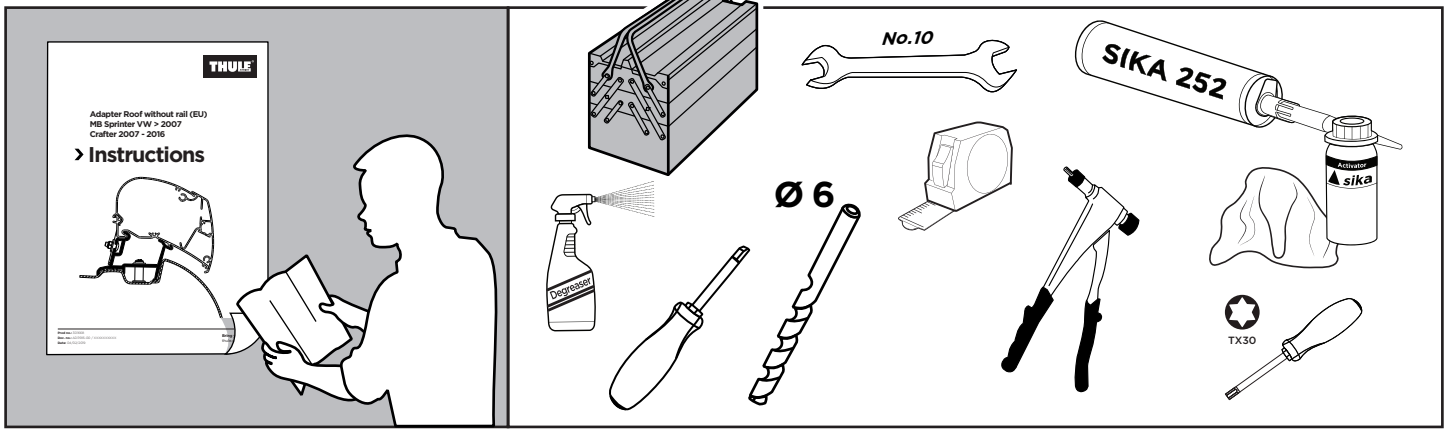


**Adapter Roof without OE Track  
MB Sprinter > 2007  
VW Crafter 2007 - 2016**

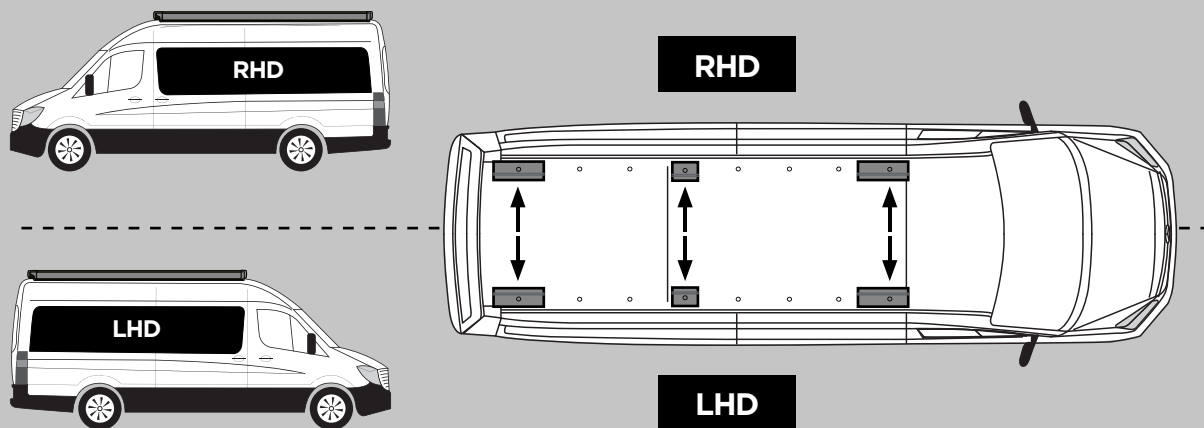
# ➤ Instructions





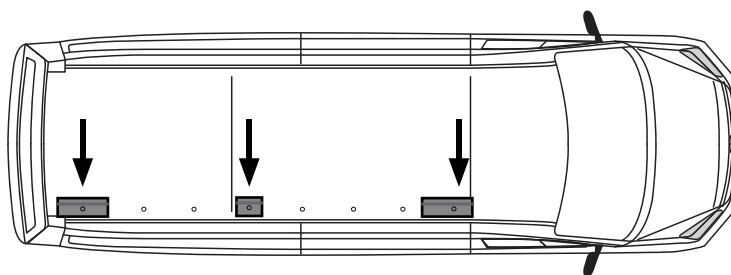
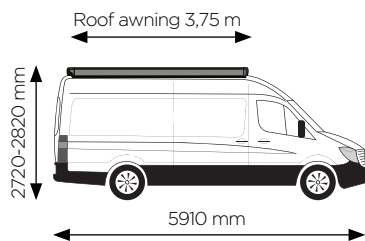
i

RIGHT HAND DRIVE (RHD) is **MIRROR** of LEFT HAND DRIVE (LHD)



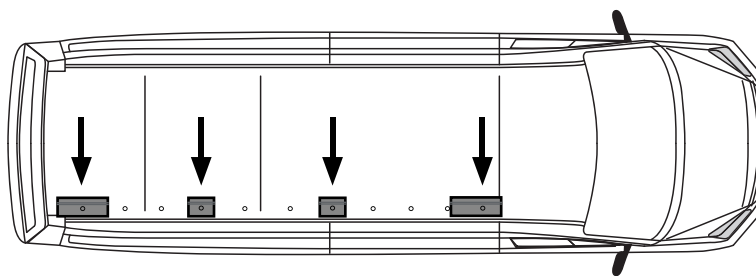
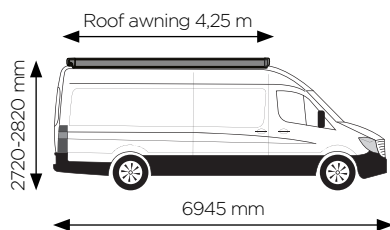
**!** IN THIS MANUAL **LEFT HAND DRIVE (LHD)** IS SHOWN BY **DEFAULT**

### L2H2



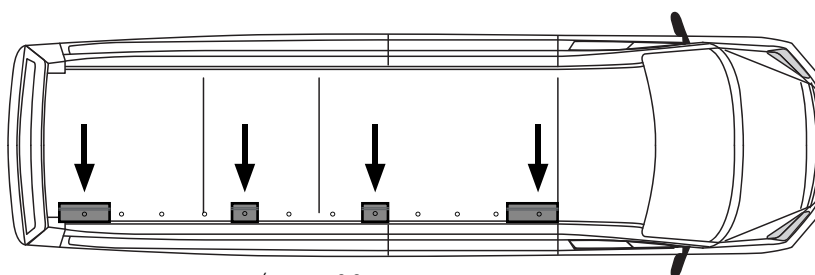
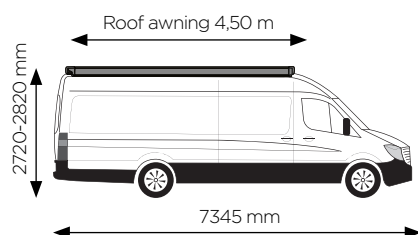
use **3/8** roof fixation points

### L3H2

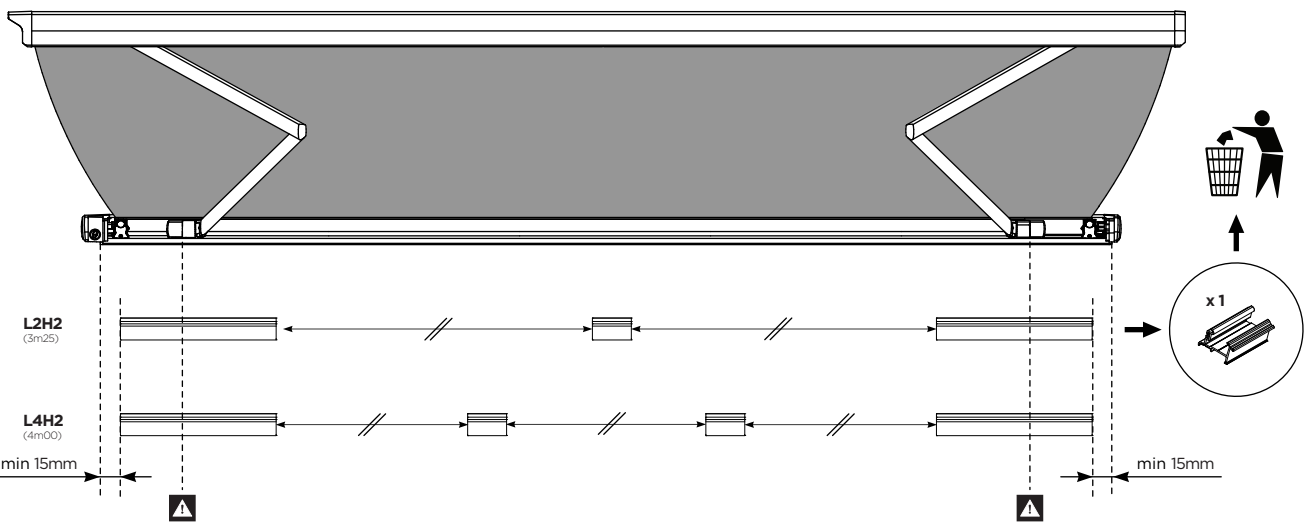
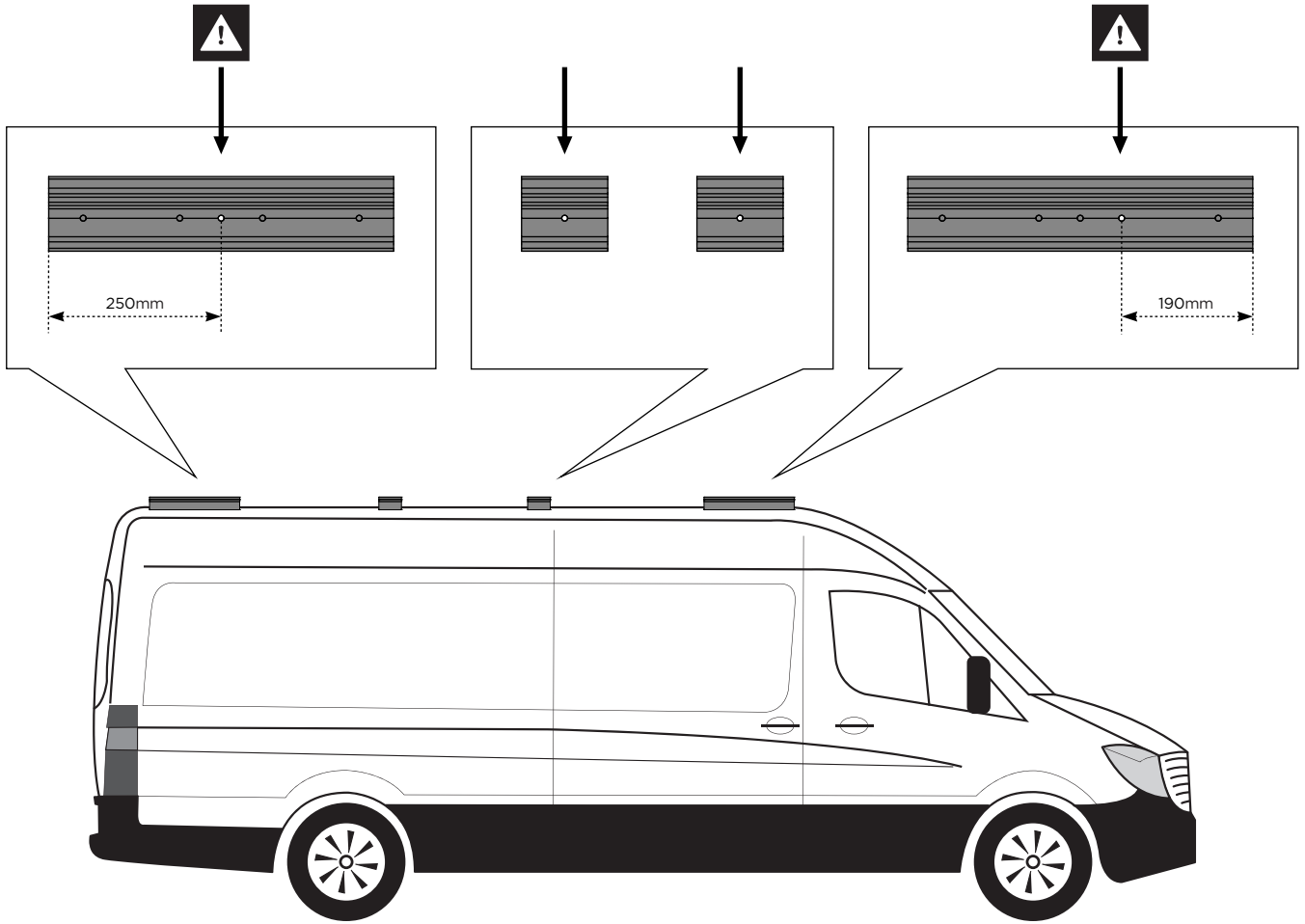


use **4/11** roof fixation points

### L4H2

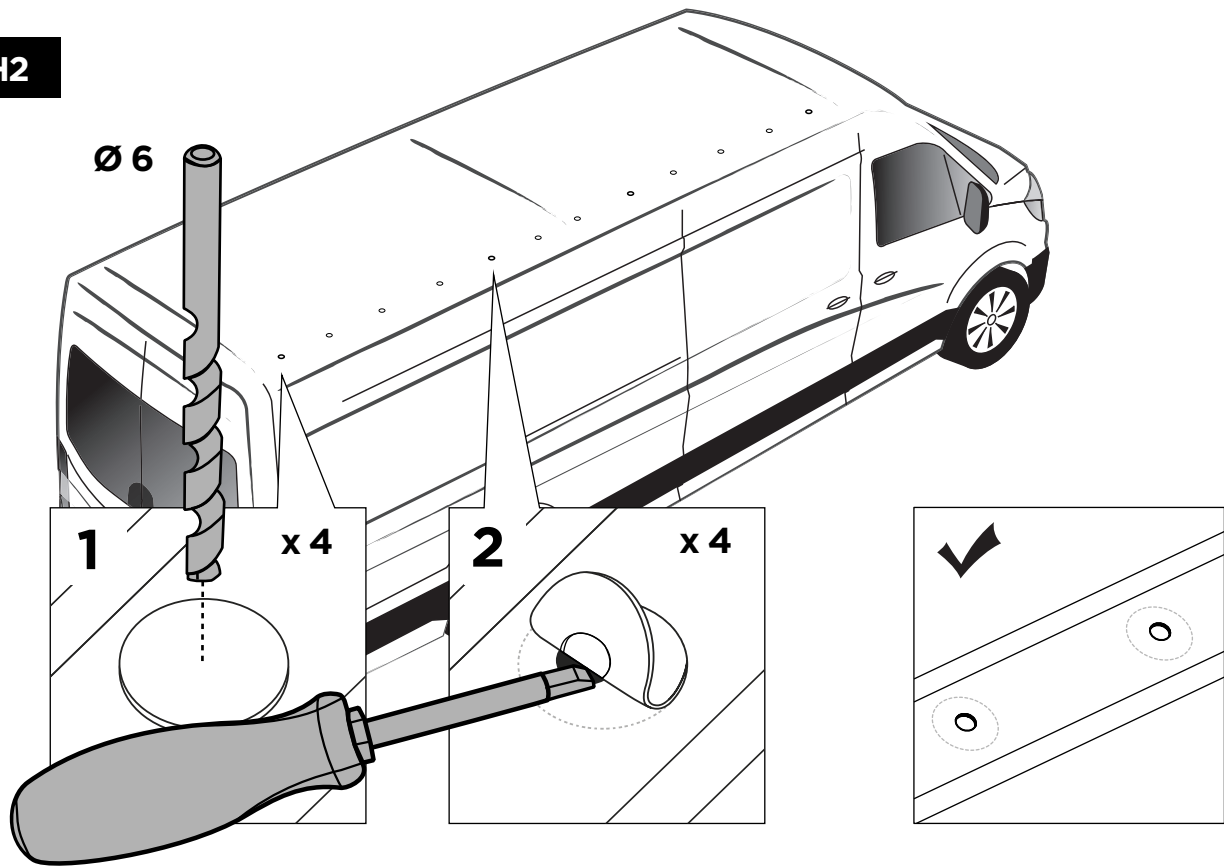


use **4/12** roof fixation points

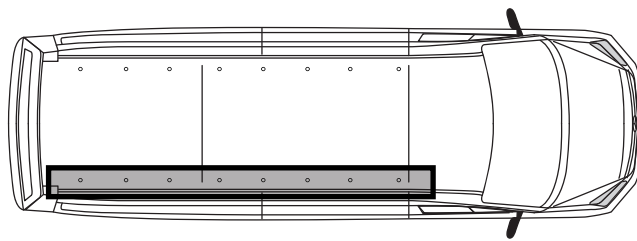
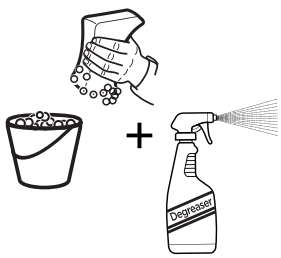


**1** Remove protection of the 4 adapter fixation points

**L4H2**

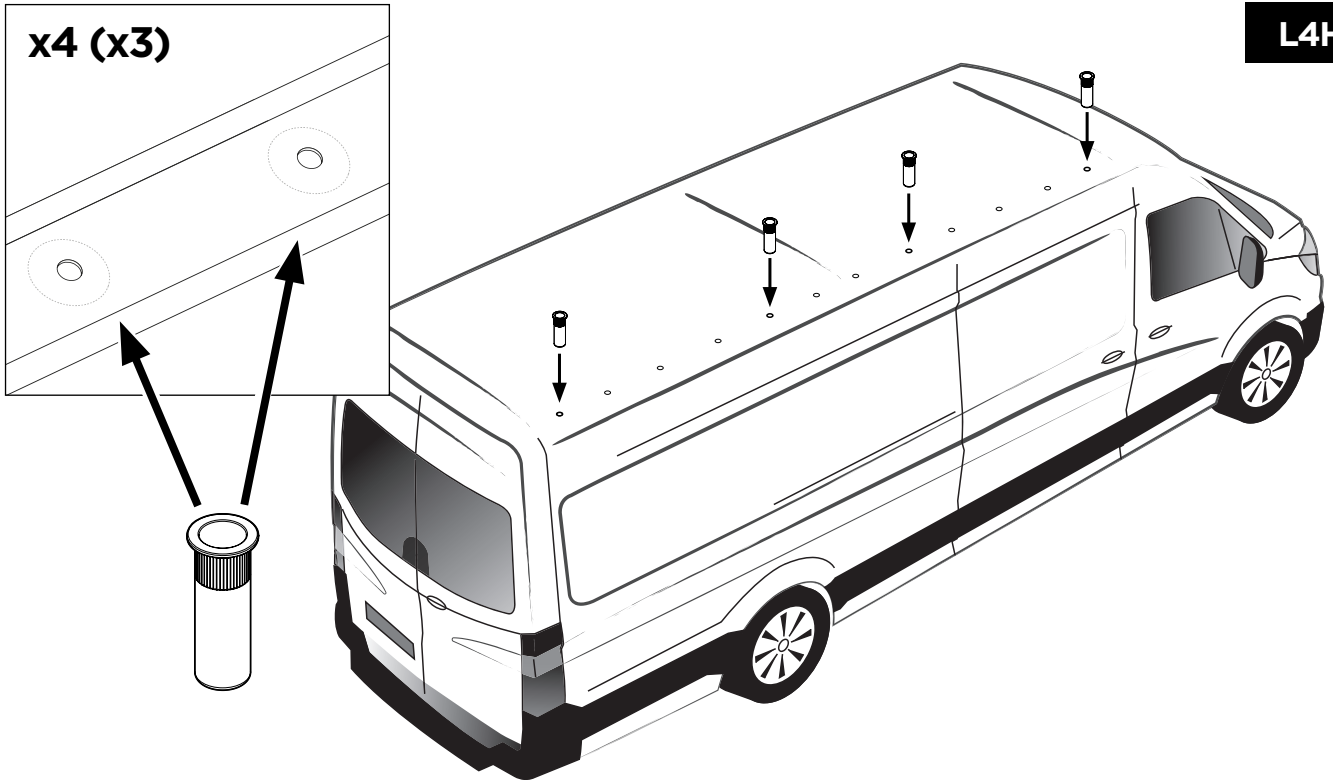
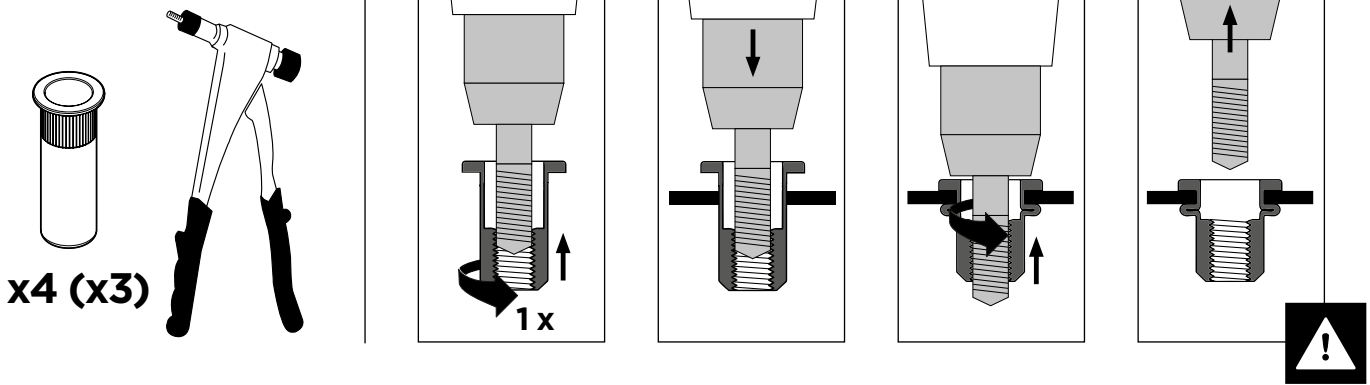


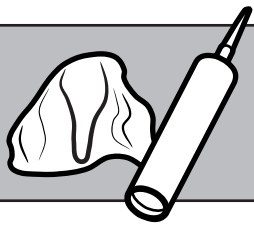
**2** Degrease the roof



### 3 Assemble the blind rivet nuts

**!** RHD IS MIRROR OF LHD





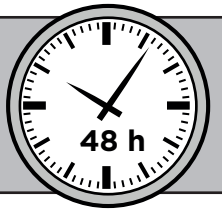
### Glue / Lijmen / Verklebung:

Thule recommends / beveelt aan / empfiehlt: **SIKA 252 or Terostat MS937**

Primern und Abdichtung nach Anweisung des Dichtmittelherstellers.

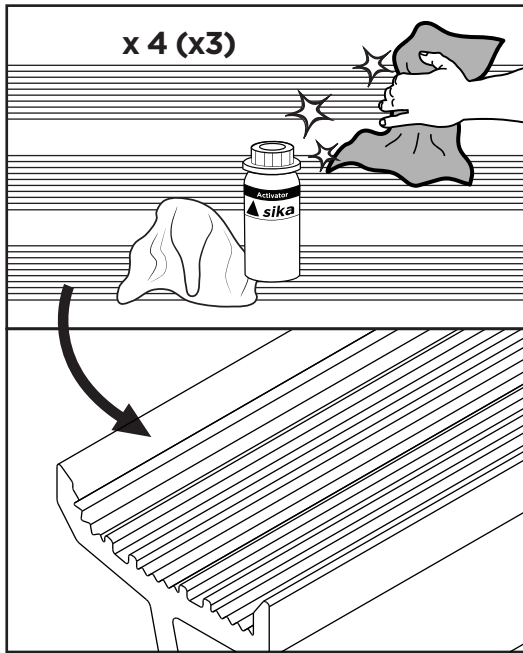
Voorbehandeling en afdichting volgens de voorschriften van de lijmfabrikant.

Preparation and sealing according to the prescripts of the glue supplier.

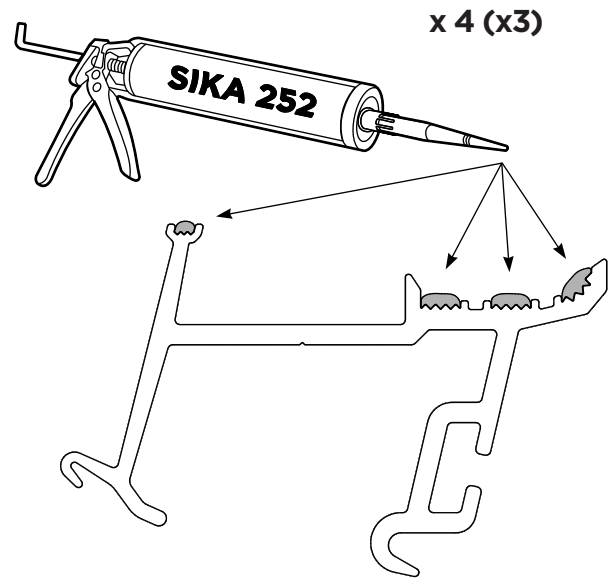


## 4 Gluing

A

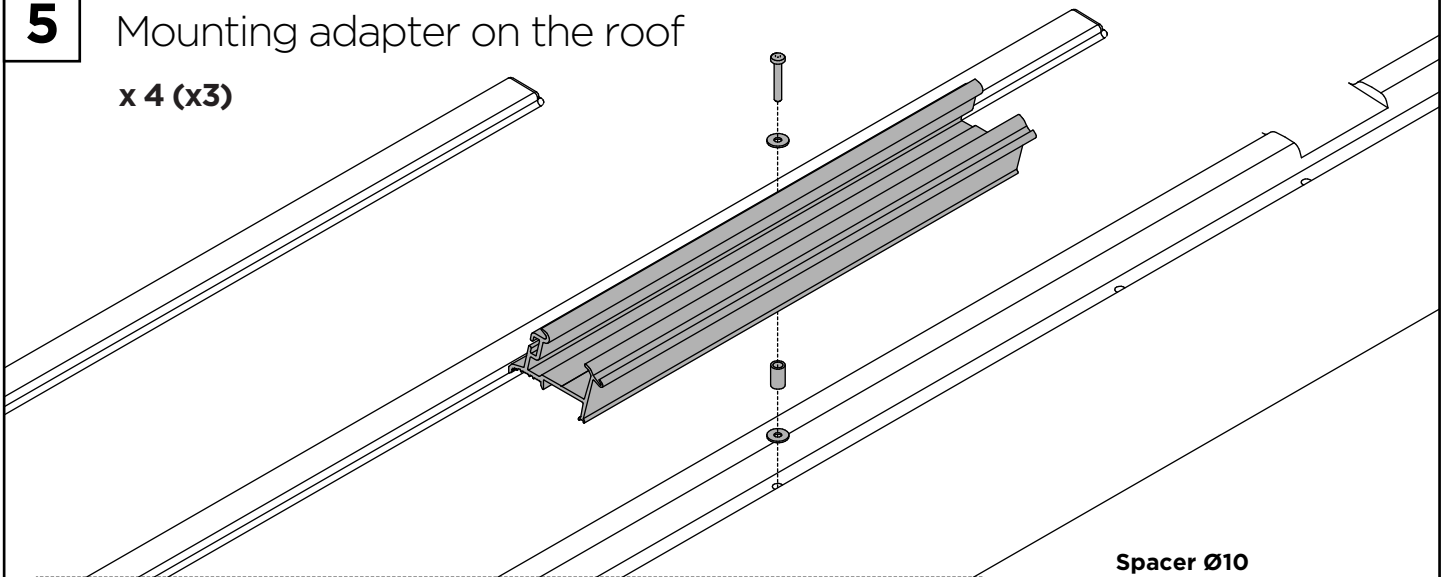


B



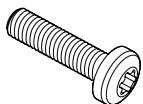
## 5 Mounting adapter on the roof

x 4 (x3)



**M6 x 25**  
DIN 7985 TX30 A2

x 4



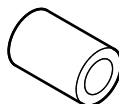
**M6**  
DIN 9021

x 8

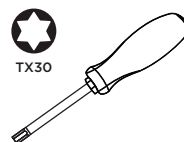


**Spacer Ø**  
6,2 x 15 mm

x 4

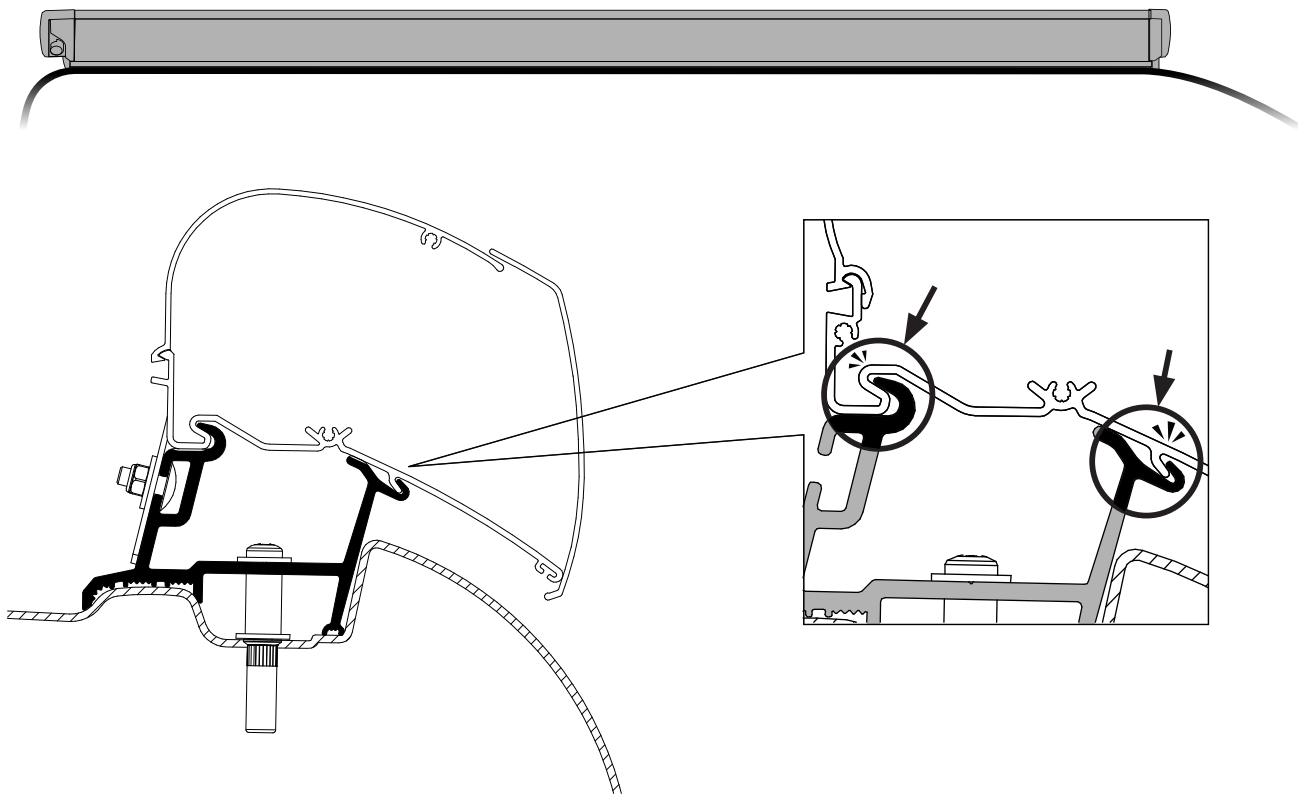


TX30



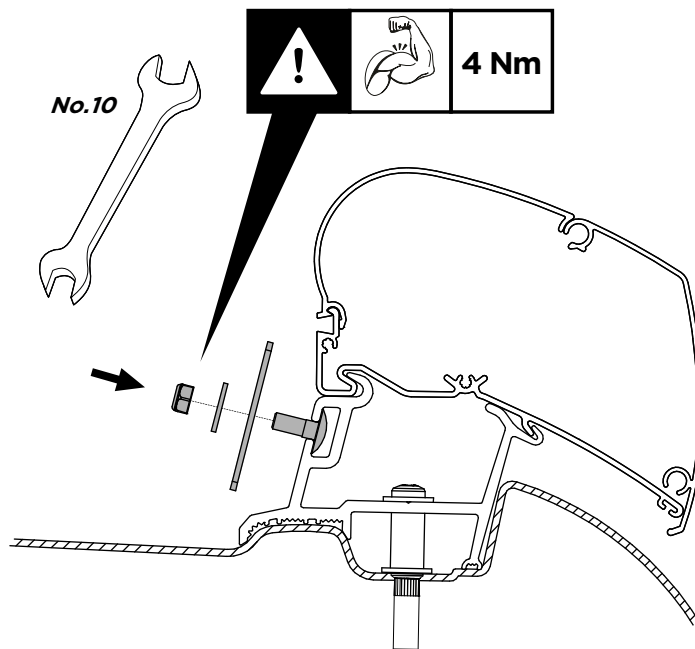
**Spacer Ø10**  
6,2 x 15 mm

## 6 Place awning



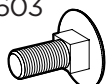
## 7 Assemble

x 4 (x3)



**M6 x 16**  
DIN 603

x 4



**M6**  
DIN 985

x 4

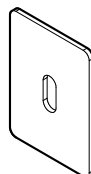


**M6**  
DIN 9021

x 4



x 4



No.10

